

# 210 SERIES

## Vertical Hold Down Clamps | Product Overview

### Features:

- DESTACO® Toggle Lock Plus versions available
- Available in stainless steel
- Accommodates M10 or 3/8 spindle accessories

### Applications:

- Assembly & test
- Light machining
- Light welding

### Also Available:

See page MC-ACC-1 for accessories  
 810-U Pneumatic Toggle Clamp  
 (See page MC-PTC-9)  
 810-S Pneumatic Toggle Clamp  
 (See page MC-PTC-9)

**210-U**  
Flanged Base  
U-Bar



**210-USS**  
Flanged Base  
U-bar, Stainless  
Steel



**210-S**  
Flanged Base  
Solid Bar



**210-UB**  
Straight Base  
U-bar



**210-SB**  
Straight Base,  
Solid Bar



**210-UR**  
Flanged Base  
U Bar  
with  
DESTACO®  
Toggle Lock  
Plus



**210-SR**  
Flanged Base  
Solid Bar  
with  
DESTACO®  
Toggle Lock  
Plus

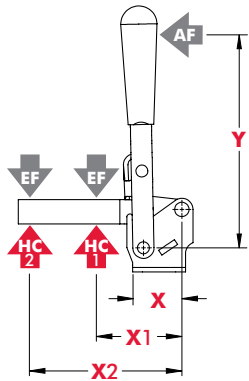


**210-TU**  
Flanged Base  
U Bar,  
T-Handle



## Technical Information

Model	Max. Holding Capacity	Clamp Bar Opening (+10°)	Handle Opening (+10°)	Weight	Accessories (Supplied)		
					Bolt Retainer	Spindle Assembly	Flanged Washers
210-U	2670 N [600 lbf]	103°	58°	0,59kg [1.29lbs]	---	240208-M	235106
210-USS	3340 N [750 lbf]				---	237943-M	235906
210-S					210114	237943-M	---
210-UB	2670 N [600 lbf]				---	240208-M	235106
210-SB	3340 N [750 lbf]			210114	---	---	
210-UR	2670 N [600 lbf]			0,73kg [1.60lbs]	---	240208-M	235106
210-SR	3340 N [750 lbf]				210114	---	---
210-TU	2670 N [600 lbf]				0,62kg [1.36lbs]	---	---



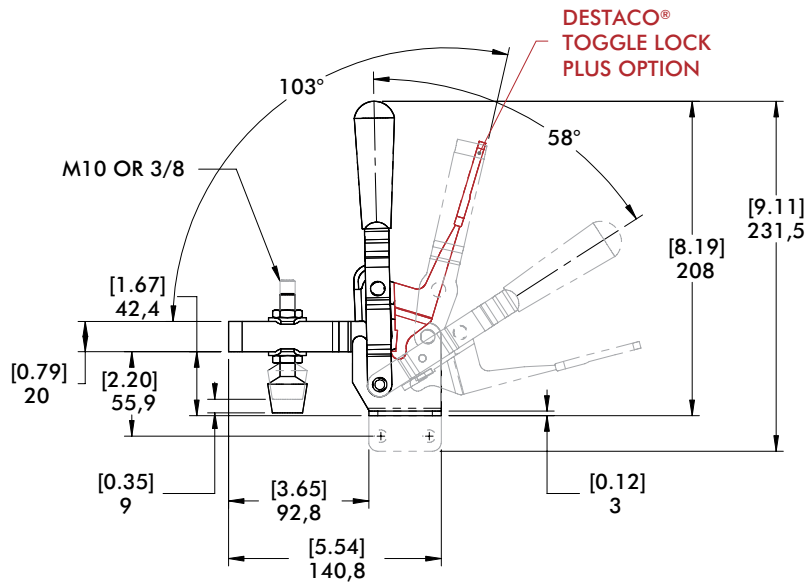
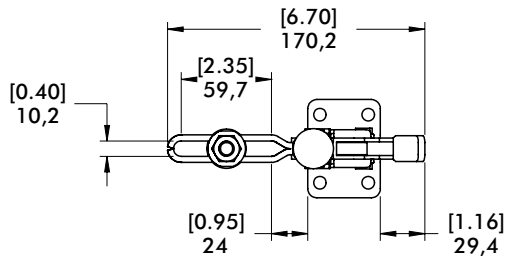
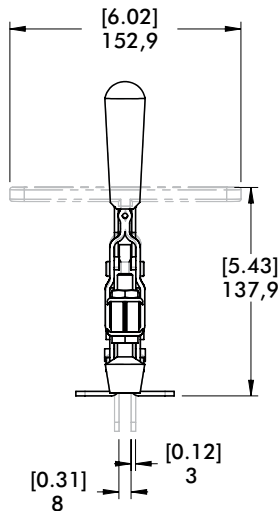
Model	X	X1	X2	Y	±HC1	±HC2	±EF(X1):AF	EF(X2):AF
U/UB/UR	[1.54] 39	[2.38] 60,5	[4.88] 124	[6.75] 171,5	[600lbf.] 2670N	[290lbf.] 1290N	14:1	7:1
USS					[750lbf.] 3340N	[360lbf.] 1600N		
S/SR/SB		[3.62] 92,0	[5.25] 133	[4.50] 114,5	[750lbf.] 3340N	[500lbf.] 2220N	11:1	9:1
TU		[2.38] 60,5	[4.88] 124		[600lbf.] 2670N	[290lbf.] 1290N		5:1

Dimensions shown "mm [inch]" ± HC = Holding Capacity, EF = Exerting Force, AF = Applied Force  
See page MC-TEC-4 for additional information.

## Dimensions | -U/-USS/-S/-UB/-SB/-UR/-SR/-TU

### 210-U

Flanged Base  
U-Bar



### 210-SR

Flanged Base  
Solid Bar  
with  
DESTACO®  
Toggle Lock  
Plus

